





## D-IP SERIES

## D-IP 66 RACK

600x450mm and 600x600mm (WxD)



## HIGHLIGHTS

	<b>Safety class rating IP66</b>
	<b>Available in heights from 7U up to 20U</b>
	<b>Load capacity 100 kg</b>
	<b>Secure Surface Mount</b>

## D-IP 66 FEATURES

- Safety class rating IP66 for Outdoor applications
- Available in heights from 7U up to 26U
- Available with 450mm and 600mm depth
- Front door: sealed, locked and strong
- Swing handle lock fitted front door
- Rear wall has a cable entry with protective cover
- Load capacity 100 kg
- Integrated air ventilation inlets ensure the entry of fresh air
- Hinged fan module protective cover with snap-on feature
- Full height galvanized steel 19" profiles
- 19" profiles marked with U height position
- There are two alternatives, single and double walled
- Plinth must be ordered separately

## PRODUCT OVERVIEW

D-IP 66 series Outdoor cabinets are designed for industrial applications. They are based on IP66 safety class and protected against water and dirt ingress. Load capacity of 19" profile rails is 100 kg.

D-IP 66 series are available in a range of heights and depths and also as single or double walled. Integrated air ventilation inlets ensure the entry of fresh air from both sides. Each cabinet is designed with strength, ease of use and aesthetics in mind. Fully adjustable front and rear profile rails of the cabinet, make this product extremely attractive to installers.

Each rack consists of up to 1.5 mm strong steel sheet material which ensures a very good stability as a robust steel construction. An extensive accessories portfolio for plinths, shelves, cable management, etc. will help to meet many requirements in daily use.



## D-IP 66 RACK 600x450mm (WxD)

P/N	U	COLOR	RAL	HEIGHT (mm)	WIDTH (mm)	DEPTH (mm)	NET WEIGHT (mm)	LOAD CAPACITY (mm)
DIP66604507UG	7	GREY	7035	620	600	450	30	100
DIP66604509UG	9	GREY	7035	708	600	450	32	100
DIP66604512UG	12	GREY	7035	842	600	450	36	100
DIP66604516UG	16	GREY	7035	1020	600	450	40	100
DIP66604520UG	20	GREY	7035	1197	600	450	44	100
DIP66604522UG	22	GREY	7035	1286	600	450	46	100
DIP66604526UG	26	GREY	7035	1464	600	450	50	100

P/N	U	COLOR	RAL	HEIGHT (mm)	WIDTH (mm)	DEPTH (mm)	NET WEIGHT (kg)	LOAD CAPACITY (kg)
DIP66604507UB	7	BLACK	9005	620	600	450	30	100
DIP66604509UB	9	BLACK	9005	708	600	450	32	100
DIP66604512UB	12	BLACK	9005	842	600	450	36	100
DIP66604516UB	16	BLACK	9005	1020	600	450	40	100
DIP66604520UB	20	BLACK	9005	1197	600	450	44	100
DIP66604520UB	22	BLACK	9005	1286	600	450	46	100
DIP66604520UB	26	BLACK	9005	1464	600	450	50	100

## D-IP 66 RACK 600x450mm (WxD) // Double Walled

P/N	U	COLOR	RAL	HEIGHT (mm)	WIDTH (mm)	DEPTH (mm)	NET WEIGHT (mm)	LOAD CAPACITY (mm)
DIP66604507UG2	7	GREY	7035	620	600	450	42	100
DIP66604509UG2	9	GREY	7035	708	600	450	44	100
DIP66604512UG2	12	GREY	7035	842	600	450	48	100
DIP66604516UG2	16	GREY	7035	1020	600	450	52	100
DIP66604520UG2	20	GREY	7035	1197	600	450	56	100
DIP66604522UG2	22	GREY	7035	1286	600	450	58	100
DIP66604526UG2	26	GREY	7035	1464	600	450	62	100

P/N	U	COLOR	RAL	HEIGHT (mm)	WIDTH (mm)	DEPTH (mm)	NET WEIGHT (kg)	LOAD CAPACITY (kg)
DIP66604507UB2	7	BLACK	9005	620	600	450	42	100
DIP66604509UB2	9	BLACK	9005	708	600	450	44	100
DIP66604512UB2	12	BLACK	9005	842	600	450	48	100
DIP66604516UB2	16	BLACK	9005	1020	600	450	52	100
DIP66604520UB2	20	BLACK	9005	1197	600	450	56	100
DIP66604520UB2	22	BLACK	9005	1286	600	450	58	100
DIP66604520UB2	26	BLACK	9005	1464	600	450	62	100



## D-IP 66 RACK 600x600mm (WxD)

P/N	U	COLOR	RAL	HEIGHT (mm)	WIDTH (mm)	DEPTH (mm)	NET WEIGHT (mm)	LOAD CAPACITY (mm)
DIP66606007UG	7	GREY	7035	620	600	600	33	100
DIP66606009UG	9	GREY	7035	708	600	600	35	100
DIP66606012UG	12	GREY	7035	842	600	600	39	100
DIP66606016UG	16	GREY	7035	1020	600	600	43	100
DIP66606020UG	20	GREY	7035	1197	600	600	47	100
DIP66606022UG	22	GREY	7035	1286	600	600	49	100
DIP66606026UG	26	GREY	7035	1464	600	600	53	100

P/N	U	COLOR	RAL	HEIGHT (mm)	WIDTH (mm)	DEPTH (mm)	NET WEIGHT (kg)	LOAD CAPACITY (kg)
DIP66606007UB	7	BLACK	9005	620	600	600	33	100
DIP66606009UB	9	BLACK	9005	708	600	600	35	100
DIP66606012UB	12	BLACK	9005	842	600	600	39	100
DIP66606016UB	16	BLACK	9005	1020	600	600	43	100
DIP66606020UB	20	BLACK	9005	1197	600	600	47	100
DIP66606020UB	22	BLACK	9005	1286	600	600	49	100
DIP66606020UB	26	BLACK	9005	1464	600	600	53	100

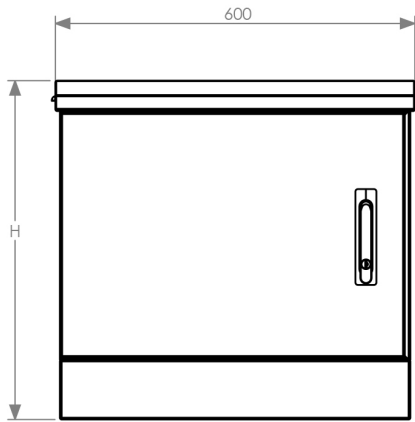
## D-IP 66 RACK 600x600mm (WxD) // Double Walled

P/N	U	COLOR	RAL	HEIGHT (mm)	WIDTH (mm)	DEPTH (mm)	NET WEIGHT (mm)	LOAD CAPACITY (mm)
DIP66606007UG2	7	GREY	7035	620	600	600	45	100
DIP66606009UG2	9	GREY	7035	708	600	600	47	100
DIP66606012UG2	12	GREY	7035	842	600	600	51	100
DIP66606016UG2	16	GREY	7035	1020	600	600	55	100
DIP66606020UG2	20	GREY	7035	1197	600	600	59	100
DIP66606022UG2	22	GREY	7035	1286	600	600	61	100
DIP66606026UG2	26	GREY	7035	1464	600	600	65	100

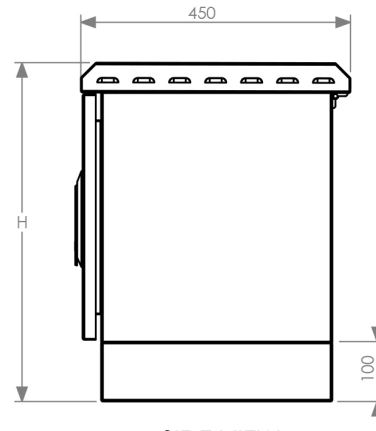
P/N	U	COLOR	RAL	HEIGHT (mm)	WIDTH (mm)	DEPTH (mm)	NET WEIGHT (kg)	LOAD CAPACITY (kg)
DIP66606007UB2	7	BLACK	9005	620	600	600	45	100
DIP66606009UB2	9	BLACK	9005	708	600	600	47	100
DIP66606012UB2	12	BLACK	9005	842	600	600	51	100
DIP66606016UB2	16	BLACK	9005	1020	600	600	55	100
DIP66606020UB2	20	BLACK	9005	1197	600	600	59	100
DIP66606020UB2	22	BLACK	9005	1286	600	600	61	100
DIP66606020UB2	26	BLACK	9005	1464	600	600	65	100



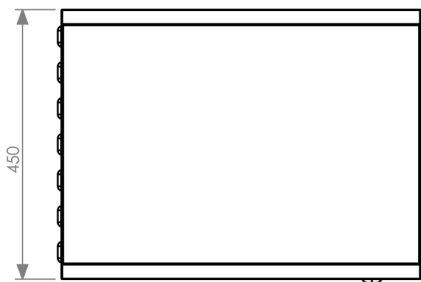
## TECHNICAL DRAWING - Surface Mount with Plinth



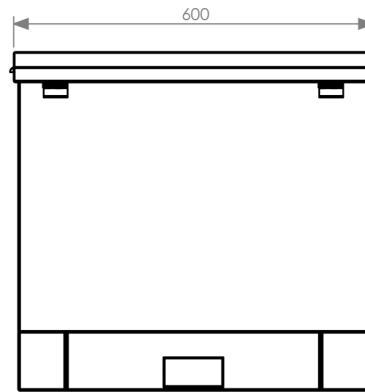
FRONT VIEW



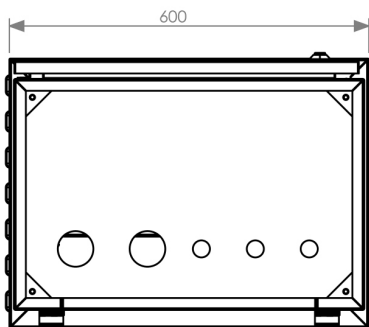
SIDE VIEW



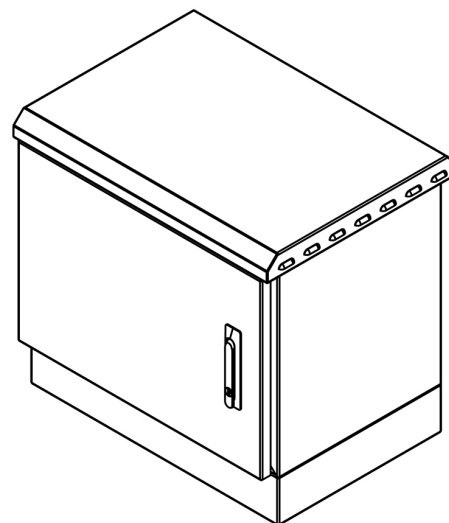
TOP VIEW



REAR VIEW



BOTTOM VIEW



ISOMETRIC VIEW

